

# HORSEBOX

HB403, HB506 & HB511



BRITAIN'S LEADING  
TRAILER MANUFACTURER



# In Safe Hands

SPECIALISTS IN TRAILER DESIGN & ENGINEERING

For over 50 years, people have put their trust in our trailers, just ask an owner they're not difficult to find. As specialists in trailer design and engineering, we have continued to set the standard both in the UK and throughout much of Europe.

We are an independent company with one focus: to build the best products on the market. More than 30,000 people choose our trailers each year - but we're not standing still. Our dedicated investment in new technologies and materials ensures that our products continue to exceed the expectations of our customers. We know that quality, strength, value and ease of maintenance are of vital importance to you. That's why we've made them the driving force behind everything we do.







HB511 in silver with alloy wheels





HB506 in black with wheel trims and door mounted tack pack





# Trailer Range

DESIGNED WITH YOU AND YOUR HORSE IN MIND

The Ifor Williams horsebox trailer range has been designed with you and your horse in mind. Combining the much loved qualities of the Ifor Williams range with continuous design improvements ensures that you are towing the safest and strongest horsebox trailer we have ever built.

Trailer exteriors have a striking overall appearance which complements popular models of 4x4 vehicles on the road today. However, the beauty of our horsebox is not just skin deep, the comfort and safety of your horse has always been our main consideration in the design of our horsebox range.

Our trailers have undergone rigorous testing, not only within our own test facilities but also at independent test tracks.

There are three models in the range; one single and two double. All trailers are fitted with a front offload ramp and a grooms door as standard.

**HB506 and HB511 Double Horsebox Models.** Both models are suitable for two horses. The HB506 can accommodate two horses up to 16.2hh, the HB511 is slightly longer, wider and will carry two 17.2hh horses. Both models feature a pair of side windows, and have a large inspection window which allows more daylight into the trailer. Centre partitions and breast and breeching bars are fitted as standard.

**HB403 Single Horsebox.** As a single horsebox, the HB403 provides more stall width than our double horsebox models and offers enough headroom to take one 16.2hh horse.

Being a narrower trailer, the HB403 is easier to tow and produces less wind resistance when towing. The HB403 is ideal for transporting nervous horses that require a wider stall and may prefer to travel alone.

# Combining Strength, stability and style

As vehicle design has evolved over the years, so have our horsebox trailers.

The horsebox range is built with an aluminium frame of six vertical box section extrusions in each corner, with additional strength provided by horizontal extrusions along the length of the trailer.

The concealed frame provides a large side panel area resulting in a stylish looking trailer which is more automotive than agricultural in appearance.

What's our secret to a smoother ride? The Ifor Williams parabolic leaf spring suspension of course. Providing better shock absorption characteristics than rubber torsion suspension, horses travelling in an

Ifor Williams horsebox trailer can expect a smoother and more comfortable towing experience.\*



\*As tested and reported by German Equine Magazine, Cavallo. June 2009.

## Trailer Features



### Door Catches

Quick release door catches. These can be latched in both the open and closed position.



### Centre Partition and Interior

Cream padding provides a light and bright interior. Hardwearing plastic kickboards along trailer sides and rubber skirts along the centre partition provide additional protection for the horse and trailer.



### Side Marker Lights

High level side marker light fitted to HB511 models as standard



### Aluminium Floor & Rubber Matting

Aluminium floors fitted as standard. Floors are covered with a 12mm thick rubber matting, providing a non-slip surface and excellent vibration absorption.



### Roof and Ventilation

Glass fibre roof with large ventilation area for increased air circulation and natural light (note HB403 roof vent is smaller).



### Interior Light

Useful on dark evenings, when loading and unloading horses.



### Internal Door Lock

A tough nylon moulded, door latch mechanism with a smooth finish to prevent injury to horses. Can be locked and unlocked from inside the trailer.



### Breast Bar Release System

Enables the release of breast bars safely from outside of the trailer. Conveniently suits the wheel brace supplied with each horsebox.



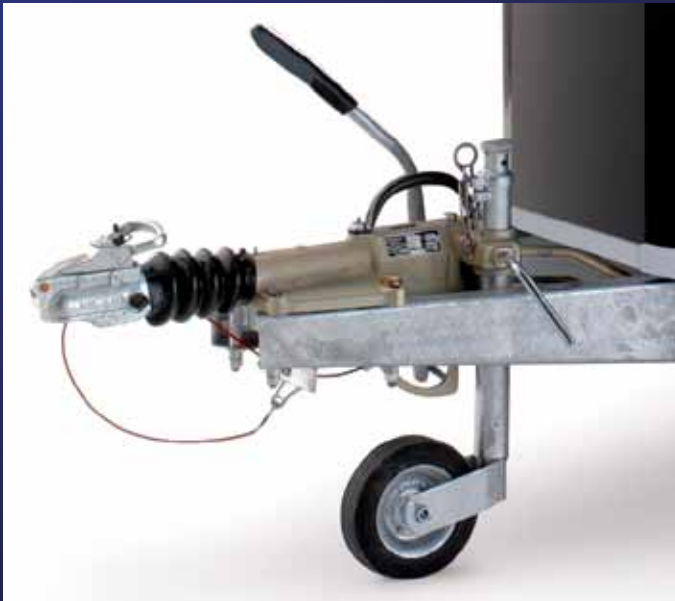


HB511 in silver with alloy wheels,  
storage net and camera

# Features

Composite aluminium side panels provide a large surface area for applying graphics or decals to your trailer.

Trailer features include brushed aluminium frame extrusions and a lowered aluminium skirt running around the front of the trailer chassis, improving the visual appearance of the trailer.



Cast coupling, included as standard with double Horsebox models. Cast couplings offer increased strength and robustness for safer towing for you and your horse.



### Gas Strut Rear Ramp

Rear ramp is gas strut assisted, making light work of opening and closing the ramp.



### Rear Positioned Spare Wheel

Positioned at the rear of the trailer, keeping side panels clear for your choice of graphics.



### Clip-On Number Plate Holder

Enables you to attach your number plate to the trailer without adhesive. Number plates can be changed quickly and easily when using different towing vehicles.



### Integral Light Cluster with New Reversing Light

Horsebox trailers are now fitted with a reversing light as standard.



### Side Windows

Fitted as standard to all models, side windows increase natural light into the interior. These can be upgraded to sliding windows if required.



### Large Front Window

Fitted to double horsebox models, front windows are positioned to be in line with most 4x4 rear windows so that horses can be viewed from the towing vehicle.



### Co-ordinated Handles

Tough nylon moulded pull handles and catches for increased strength and ease of use.



### Lockable Grooms Door

Flush fitting locking mechanism, provides privacy for riders if used for changing at a show. Grooms doors can be positioned on either side of the trailer.





HB506 in black with wheel trims and prop stands

# Ramp Options

FRONT OFFLOAD RAMP - LEFT OR RIGHT,  
THE CHOICE IS YOURS

Traditionally positioned on the right side of the horsebox, customers can choose which side the front offload ramp is positioned. Grooms doors are fitted to the opposite side chosen for the ramp.

Some may prefer the front offload ramp to be on the left so that horses can offload into the verge when parked at the side of a road. Most still prefer the grooms door to be on the verge side so that you can check your horse during a journey without having to stand in the road.

Your distributor will be happy to discuss your requirements and recommend which side will be most appropriate for your needs.



## Rear Ramp / Van Style Doors

For horsebox owners looking for additional versatility, choosing a rear ramp combined with van doors is ideal. Operating as a standard ramp when loading horses, the ramp can also be opened as van doors enabling a fork lift truck to load heavy items into the trailer\*. With the centre partition removed, the trailer loading area can be further increased.

\*When using the horseboxes for carrying loads (not horses) ensure that the load is evenly distributed over the axles.





# Accessories

## FINISHING TOUCHES

Add some finishing touches to your trailer with our wide range of additional accessories, many of which are exclusive to Ifor Williams Trailers. From Tack Packs™ to trailer cameras, our accessory options make perfect additions to your trailer and if not factory fitted items, are ideal gifts for trailer owners.

The addition of selected accessories allows you to further enhance your trailer and tailor it to suit your specific needs.

Please check with your distributor before you purchase if optional accessories are a factory fit item or if they can be fitted by your distributor.



### Sliding Windows

Increase airflow with sliding windows in place of standard side windows. Window protection bars are also available.



### Full Width Breast and Breeching Bar

For horses that prefer single travel in a wider stall. Centre partitions are removed and full width breast and breeching bars are fitted.



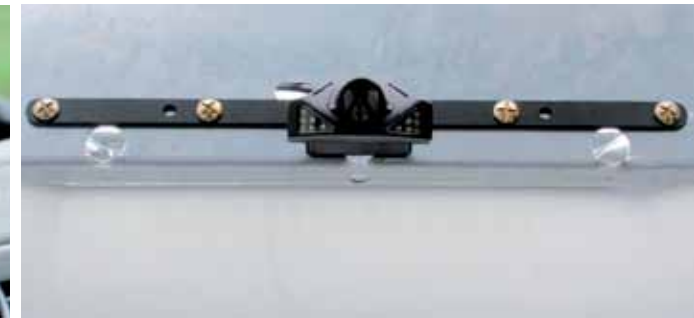
### Head Partition

Head partitions are easily fitted by clipping to the front panel of the trailer and the centre partition (additional fitting bar required).



### Horse & Trailer Camera

Wireless camera system - transmits live colour footage from the trailer interior to the towing vehicle, enables passengers to monitor the horse during transit. Can be powered from battery pack or trailer lighting system. Supplied loose, requires fitting.



### Wheel Chocks

Recommended for use when uncoupling, parking and in place of the handbrake when storing your horsebox for a length of time.



### Storage Net

Ideal for storing trailer manuals and other small items such as hair brushes etc. Available for HB506 and HB511 only.



### Trailer Cover

Protect your trailer from the elements with a waterproof and breathable trailer cover.



HB506 in black with wheel trims



### High Level Rear Brake Light

Fitted to the rear roof arch, this optional brake light provides additional warning that the trailer and vehicle are braking.



### Wheel Trims

Add the finishing touches to our standard steel wheels, by fitting a set of wheel trims (four per trailer). (Design may vary to the one illustrated above).



### Alloy Wheels

Give your trailer the wow factor by adding a set of exclusive alloy wheels with Ifor Williams Trailers branded centres (four per trailer).



### Prop Stands

Consider prop stands if your horse requires a particularly steady surface to load. Additional support will reassure nervous horses.



### Trailer Aid™

Use it once and you'll never be without it. Used when replacing a flat or punctured tyre. Saves time and energy, no need to use a jack.



### Tack Pack™ – Fixed

Attached to the grooms door, this neat storage solution is capable of storing two saddles and various tack. Available in cream. Suitable for general purpose saddles up to 17" (43cm). We advise that you check saddles fit before tack pack is purchased.



### Tack Pack™ – Wheeled

Fits neatly into the nose area of the trailer, and can be wheeled down the front ramp to empty and load (does not fit into HB403). Available in silver. Suitable for general purpose saddles up to 18" (46cm). We advise that you check saddles fit before tack pack is purchased.



### Front Window Protection Guard

This accessory is distributor or factory-fit only.



### Hay Net Rail

This innovative accessory allows a hay net to be positioned perfectly for your horse.



### Galloping Horse Graphic

Galloping horse graphic illustrating the stages of gallop. Available in black. Graphics are supplied with fitting instructions and graphic applicator.

### Trailer Graphics Large Horse Graphic

Large horse graphic set in Ifor Williams logo. Suitable for HB403, HB506 and HB511 horsebox models. Graphics are supplied with fitting instructions and graphic applicator.



# IWT Collection

The IWT Collection range includes various travel related items including horse travel wear, designed for use when travelling your horse in a trailer; various storage for your tack, and a handy first aid kit.

Horse Wear and graphics can be purchased with your trailer or at any time from your local Ifor Williams Trailers Distributor.



## Travel Boots

A set of four, hard wearing fabric travel boots with nylon lining and padding. Provides fore and hind limb impact protection for the horse.



## Fleece Travel Rug

Keep your horse warm in winter and cool in summer when travelling with this breathable polar fleece travel rug.



## Tailguard

Easily fitted tailguard. Protects the tail and dock whilst the horse is in transit.



## Saddle Carrier

Protect your saddle from knocks and scrapes with this nylon padded saddle carrier.



## Bridle Bag

Keep your bridle clean, tidy in this must have bridle bag.

# Specifications

Choose from five colour options, all with colour co-ordinated rear top doors. Colours have been carefully selected to complement the colours of popular towing vehicles.



Black



Silver



Graphite



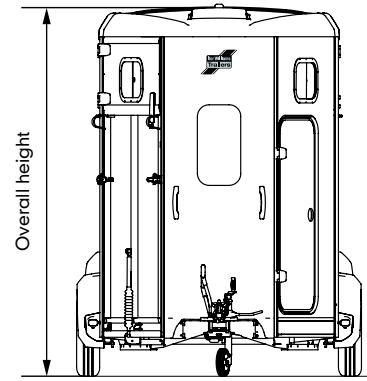
White



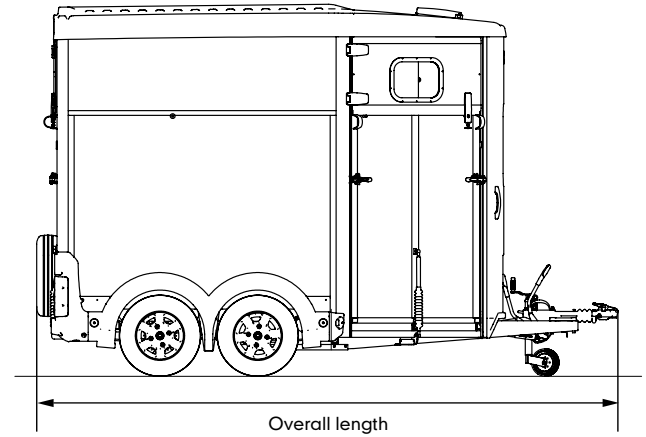
Green



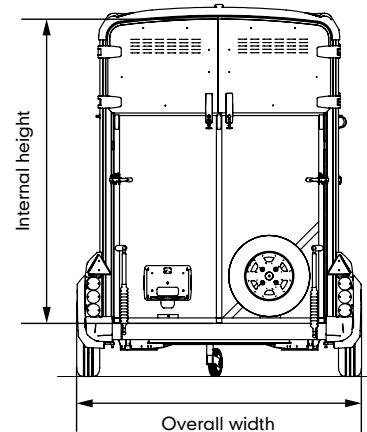
Blue - COMING SUMMER 2013



Overall height

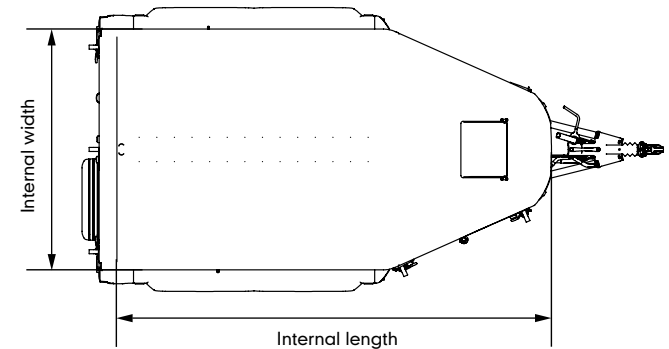


Overall length



Internal height

Overall width



Internal width

Internal length

	<b>HB403</b>	<b>HB506</b>	<b>HB511</b>
Tyres	155R13C / 165R13C	165R13C	165R13C
Maximum gross weight	1600kg	2600kg	2700kg
Unladen weight	767kg	920kg	1000kg
Overall height	2.70m	2.75m	2.75m
Overall width	1.73m	2.10m	2.22m
Overall length	4.36m	4.30m	4.65m
Internal height	2.20m	2.26m	2.26m
Internal width	1.30m	1.67m	1.79m
Internal length	3.08m	3.16m	3.52m
Stall width	1.30m	0.83m	0.89m
Stall length min/max	1.48/1.86m	1.48/1.86m	1.67/2.05m
Breast/breeching bar height	1.11/1.32m	1.11/1.32m	1.11/1.32m



## Features

	HB403	HB403 BASIC	HB506	HB506 BASIC	HB511	HB511 BASIC
Front Ramp*	STD	N/A	STD	N/A	STD	N/A
Ramp / Van Style Doors	N/A	N/A	OPTION	OPTION	OPTION	OPTION
Rear Top Doors	STD	OPTION	STD	OPTION	STD	OPTION
Locking Grooms Door	STD	STD	STD	STD	STD	STD
Prop Stands	OPTION	OPTION	OPTION	OPTION	OPTION	OPTION
Roof Ventilator	STD	STD	STD	STD	STD	STD
Centre Partition	N/A	N/A	STD	STD	STD	STD
Head Partition	N/A	N/A	OPTION	OPTION	OPTION	OPTION
Full Width Breast and Breeching Bars	STD	STD	OPTION	OPTION	OPTION	OPTION
Fixed Window - Front	N/A	N/A	STD	STD	STD	STD
Front Window Protection Guard	N/A	N/A	OPTION	OPTION	OPTION	OPTION
Fixed Windows - Side (Pair per trailer)	STD	STD	STD	STD	STD	STD
Sliding Windows - Side (Pair per trailer)	OPTION	OPTION	OPTION	OPTION	OPTION	OPTION
Side Window Protection Bars (Pair per trailer)	OPTION	OPTION	OPTION	OPTION	OPTION	OPTION
Front Window Protection Bars	N/A	N/A	OPTION	OPTION	OPTION	OPTION
Alloy Wheels (Four per trailer)	OPTION	OPTION	OPTION	OPTION	OPTION	OPTION
Locking Wheel Bolts (For Alloy Wheels)	OPTION	OPTION	OPTION	OPTION	OPTION	OPTION
Wheel Trims (Four per trailer)	OPTION	OPTION	OPTION	OPTION	OPTION	OPTION
Wheel Chocks (Pair)	OPTION	OPTION	OPTION	OPTION	OPTION	OPTION
Mudflaps (Pair)	OPTION	OPTION	OPTION	OPTION	OPTION	OPTION
Spare Wheel and Cover	STD	STD	STD	STD	STD	STD
Lockable Spare Wheel Carrier	OPTION	OPTION	OPTION	OPTION	OPTION	OPTION
Wheeled Tack Pack	N/A	N/A	OPTION	OPTION	OPTION	OPTION
Door Mounted Tack Pack	OPTION	OPTION	OPTION	OPTION	OPTION	OPTION
Sliding Hay Net Rail	OPTION	OPTION	OPTION	OPTION	OPTION	OPTION
Aluminium Floor	STD	STD	STD	STD	STD	STD
Removable Rubber Floor Matting	STD	STD	STD	STD	STD	STD
Internal Light	STD	STD	STD	STD	STD	STD
Horse Graphics	OPTION	OPTION	OPTION	OPTION	OPTION	OPTION
Stowage Net	N/A	N/A	OPTION	OPTION	OPTION	OPTION
High Level Rear Brake Light	OPTION	OPTION	OPTION	OPTION	OPTION	OPTION
Datatag	STD	STD	STD	STD	STD	STD
Horse & Rider First Aid Kit	OPTION	OPTION	OPTION	OPTION	OPTION	OPTION
Trailer Camera (supplied loose, requires fitting)	OPTION	OPTION	OPTION	OPTION	OPTION	OPTION
Trailer Cover (Blue)	OPTION	OPTION	OPTION	OPTION	OPTION	OPTION
13 Pin to 7 Pin Towing Electric Plug Adaptor	OPTION	OPTION	OPTION	OPTION	OPTION	OPTION
Reversing Light	STD	STD	STD	STD	STD	STD
Coupling Head Security Lock	OPTION	OPTION	OPTION	OPTION	OPTION	OPTION

\*Unless specified at the time of order, a right hand ramp will be fitted

## Specifications

### THE IFOR WILLIAMS COMMITMENT TO TRAILER SECURITY

Each trailer is fitted with an ID plate which has a unique serial number etched on it. Additionally, the drawbar has a different unique number cut through it, which is virtually impossible to alter without noticeably affecting the appearance of the numbers and galvanized finish.

### TER - THE NATIONAL PLANT AND EQUIPMENT REGISTER

When you register your new trailer it is automatically registered with TER (The National Plant and Equipment Register). Their mission is to combat plant theft and fraud in the UK and Europe. By registering ownership, both technical and marking details can be made available to international police forces through TER. All Ifor Williams Trailers include free registration to TER once your trailer is registered by your distributor. For further information on TER please see their web site at [www.ter-europe.org](http://www.ter-europe.org)

### DATATAG

Datatag is Europe's leading electronic tagging system and was originally developed to combat theft in the UK motorcycle industry. Datatag transponders (tags) are miniature transmitters. These are hidden deep within the trailer during manufacture, and transmit a unique code that can only be read with special scanning guns. These are issued to Police and HM Customs free of charge. On recovery of a stolen trailer the identity of the trailer can be verified and the rightful owner contacted.

For further information on Datatag please visit their web site at [www.datatag.co.uk](http://www.datatag.co.uk)

Datatags are fitted as standard to all Ifor Williams Horsebox trailers for extra security and peace of mind.

## Maintenance

We recommend that your trailer is serviced by a recognised trailer mechanic to ensure it is always kept in best possible condition. All Ifor Williams Trailers distributors provide this service and can advise you on how regularly your trailer will need servicing.

Always clean your trailer regularly, both inside and outside, paying particular attention to the outside during winter months, as salt on the road will discolour the galvanized steel.



Ifor Williams Trailers Ltd  
Cynwyd, Corwen,  
Denbighshire LL21 0LB UK  
Telephone +44 (0)1490 412527  
sales@iwt.co.uk

For further information visit our  
comprehensive website  
[www.iwt.co.uk](http://www.iwt.co.uk)

Product design, descriptions, colours, specifications etc. correct at time of going to press. We constantly strive to improve our products, and from time to time this may result in changes to our range or to individual models. Please check that design, description, colours, specifications described in this brochure are still valid at the time of placing an order.

Our distributors have extensive product knowledge and will be pleased to offer assistance in the selection of your trailer.

© Ifor Williams Trailers Ltd 2013. All rights reserved.

No part of this publication may be reproduced in any form or by any means, without the prior written permission of Ifor Williams Trailers Ltd.

Thanks to Land Rover UK.